



QM-210L

Passive Line Array Speaker



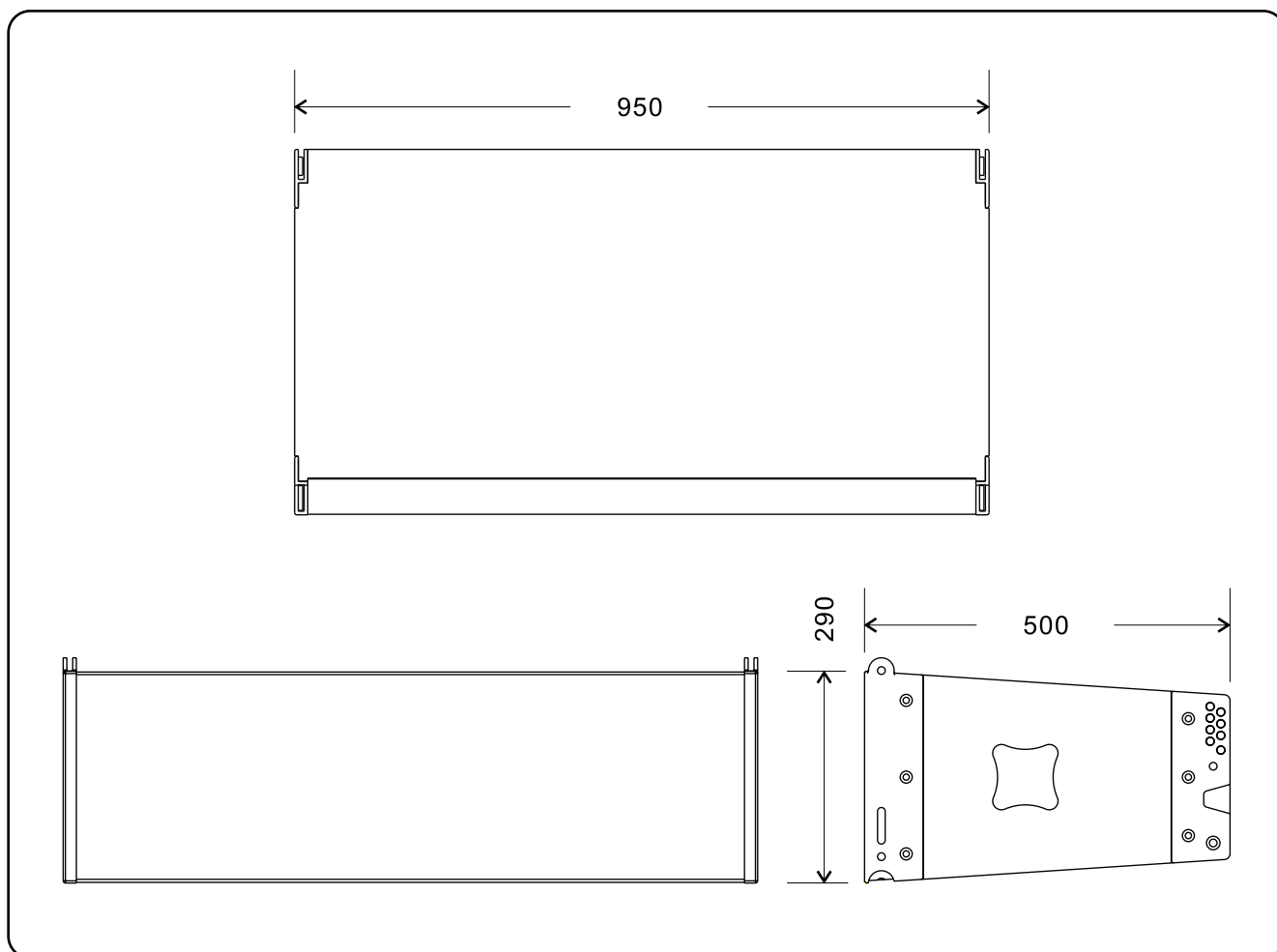
KEY FEATURES

- Line Array Speaker System
- Compact Size and High Sound Pressure
- Precise Planar Waveguide Converter
- Dual 10-Inch Low Frequency Transducers
- 3-Inch Voice Coil High Frequency Transducer
- Built-in crossover with bi-amp switching
- Aluminium Rigging System
- Waterproof, wear-resistant and UV-resistant polyurea coating

SPECIFICATIONS



FREQ. RANGE (-10DB)	60 Hz to 19 kHz
FREQ. RESPONSE (-3DB)	70 Hz to 19 kHz
SENSITIVITY - 1W @ 1M	99 dB
MAX CALCULATED SPL	135 dB
POWER HANDLING (RMS)	600W
POWER HANDLING (PEAK)	2400W
NOMINAL IMPEDANCE	16Ω
DISPERSION (H° X V°)	100° X 7.5°
LF TRANSDUCER	2x10 Inch / 254mm
HF TRANSDUCER	1x1.4 Inch / 35mm
CONNECTOR	2xNL4 Speakon
DIM (WXHxD)	950mm x 308mm x 500mm
NET WEIGHT	41.5 kg
SHIPPING WEIGHT	45 kg





questaudio.com.au